

# WATER AND ENERGY SAVING

Save precious water while adding a touch of steaming elegance to your bathroom. Each Com product is equipped with a clever water-saving device. Top-quality materials and workmanship come together to create masterpieces of practicality and reliability which are also thoughtfully economical.



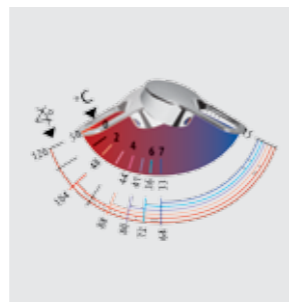
## INNOVATION

### Click Technology

The Click Technology on regular mixers gives you a 50% water-saving device to help control how much water you use, so you can enjoy precise and comfortable temperature control at any time.

## SAFETY

Temperature control of hot water: with the integrated temperature pin, water can be reduced at any given time. With just a simple lifting and balancing of the red plastic ring in positions 1-7, the handle's range of movement is delimited and maximum temperature is reduced.



### IDEAL STANDARD S.A.

Regions: Greece  
Mediterranean  
Middle East, Asia

265, Messogion Avenue  
154 51 N. Psychico  
Athens - Greece  
Tel.: +30 210 6790800 / 6790877  
Fax: +30 210 6790892

Ideal Standard International

Group of companies  
Brussels - Belgium

[www.idealstandard.com](http://www.idealstandard.com)



Ideal Standard follows the policy of a continuous & consistent improvement on the design & functionality of its models. Thus, it has the right to change its manufacturing prescriptions at any time. 06/13, GRIS11MGBRA6

COM  
IDEAL  
AT DESIGN  
& PRICE



A  
BEAUTIFUL  
USE  
OF  
SPACE



A  
BEAUTIFUL  
USE  
OF  
SPACE

# ATTRACTIVE EVERY DAY



Ideal Standard introduces Com, providing a full set of advantages in a very attractive and affordable package. Com combines features like Ideal's unique click technology, a water saving limiter as well as a hot temperature limiter, easy-fix and more, with an irresistible selling price, giving new meaning to the phrase "value for money".

## TECHNICAL SPECIFICATIONS

### FITTINGS

#### Basin mixer Rim-mounted



Model Ref.  
Basin mixer Rim-mounted B9795AA

- 47 mm click cartridge
- Flexible hoses G3/8
- Easy fix
- Pop-up rod
- Metal Pop-up waste
- Water saving limiter
- Hot temperature limiter
- Chrome finish



Click Technology



Easy Fix

#### Bidet mixer Rim-mounted



Model Ref.  
Bidet mixer Rim-mounted B9796AA

- 47 mm click cartridge
- Flexible hoses G3/8
- Easy fix
- Pop-up rod
- Metal Pop-up waste
- Water saving limiter
- Hot temperature limiter
- Chrome finish



Click Technology



Easy Fix

#### Shower mixer exposed (no kit)



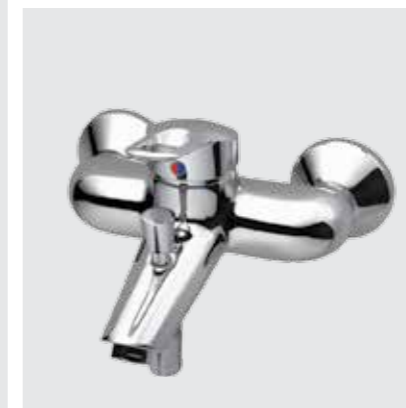
Model Ref.  
Shower mixer exposed (no kit) B9797AA

- 47 mm click cartridge
- S-connectors
- Water saving limiter
- Hot temperature limiter
- Chrome finish



Click Technology

#### Bath & Shower mixer exposed (no kit)



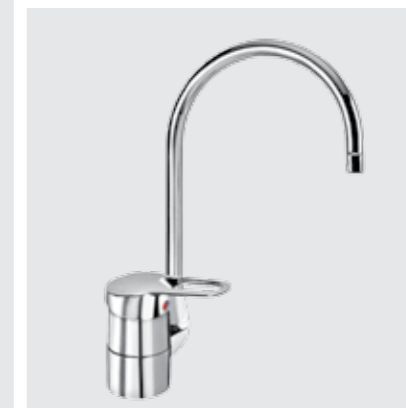
Model Ref.  
Bath & Shower mixer exposed (no kit) B9798AA

- 47 mm click cartridge
- S-connectors
- Water saving limiter
- Hot temperature limiter
- Chrome finish



Click Technology

#### Sink mixer r-mounted

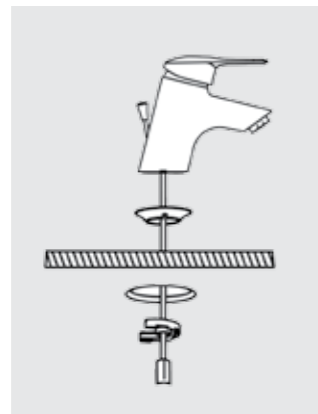
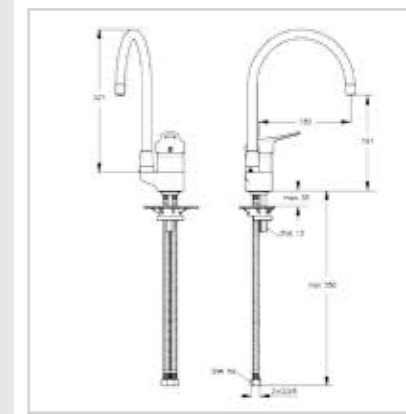
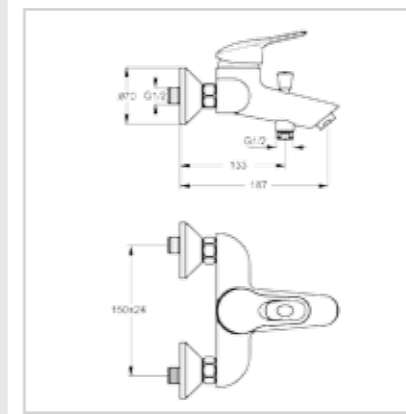
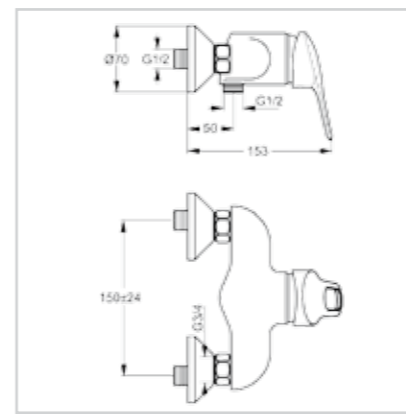
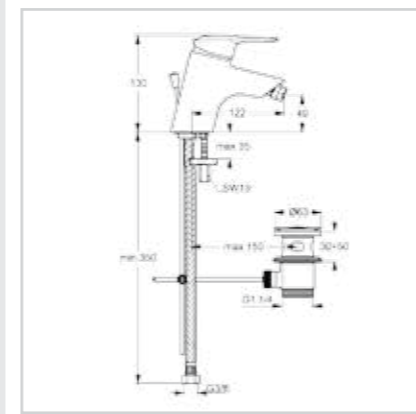
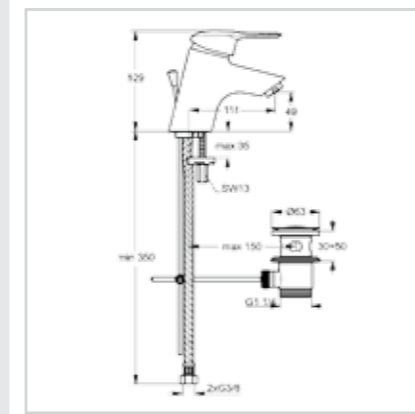


Model Ref.  
Sink mixer r-mounted B9799AA

- 47 mm click cartridge
- Tubular spout
- Water saving limiter
- Hot temperature limiter
- Chrome finish



Click Technology



## FUNCTIONALITY

Innovative patented Easy Fix feature means Com mixers can be fitted quickly and easily, with no risk of leakage, no limescale deposits and easier maintenance.