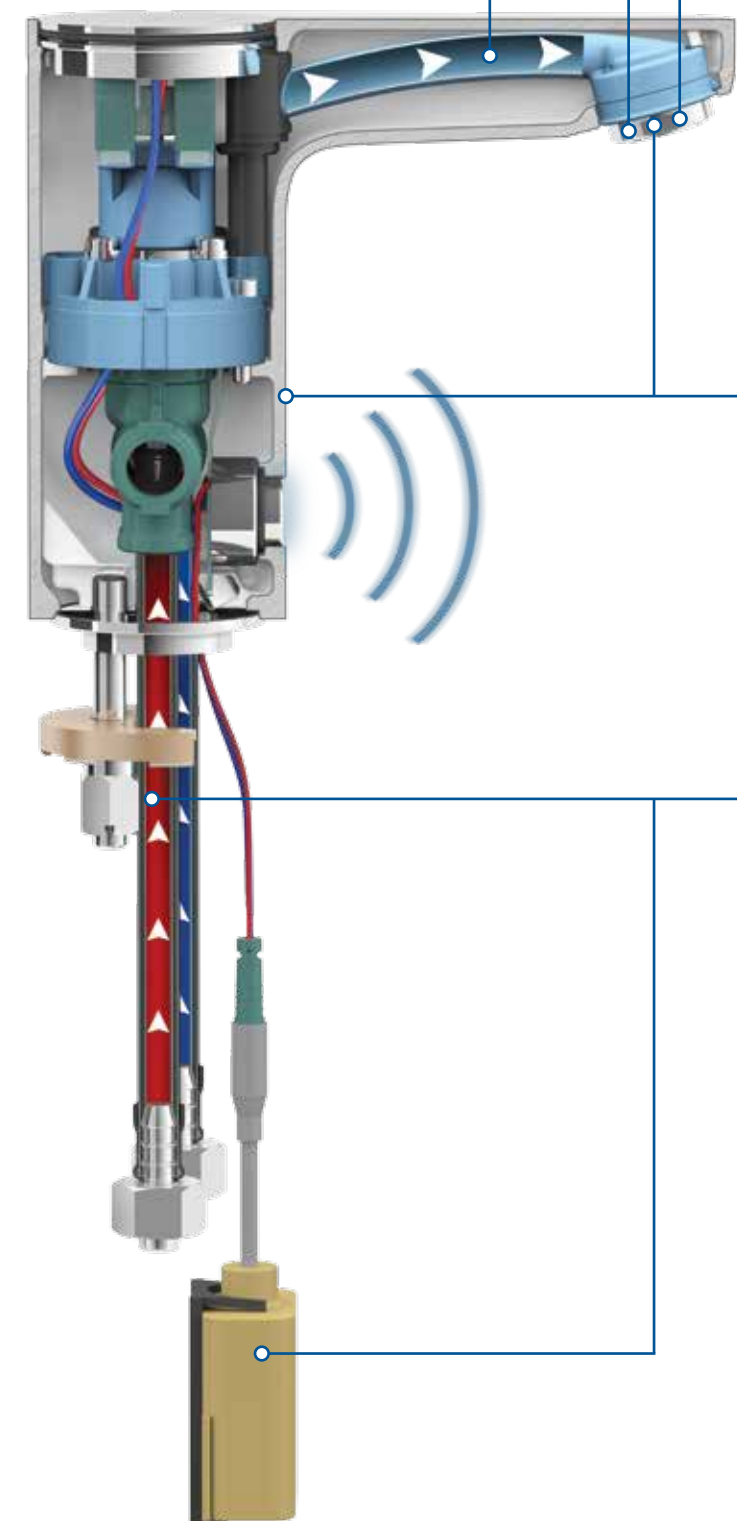


IDEALBLUE® TECHNOLOGY – PROVIDING PERFECT WATER QUALITY AND SAFETY

INNOVATION

- Nickel and lead free waterways in the body
- Reduced water content and stagnation time
- Adjustable cleaning mode



SUSTAINABLE

Energy saving

- 4,7 litres per minute flow regulator
- Self-closing function
- Solenoid valve closes 2s after sensor no longer detects movement
- Automatic flow stop after 55 seconds of continuous operation

SAFETY

Designed for safe operation

- Insulated waterways ensure a cool body
- No risk of scalding on the exterior surface

EASY TO INSTALL

Easy to maintain

- Flexible hoses
- Isolation valves with filters and check valves
- Easy-Fix quick and easy installation requiring only one hand under the basin
- Integral sensor and electronics
- Easy to install battery versions not requiring mains connection

IDEAL STANDARD GULF FZCO
Jebel Ali, Dubai
P.O. Box 261559
United Arab Emirates

Head Offices Dubai tel. +971 4 80 42 400
Sales Offices Athens tel. +30 210 6790800
Email: IdealStandardGulf@idealstandard.com

www.idealstandardgulf.com



Ideal Standard MENA
Group of:
Ideal Standard International
Brussels, Belgium

Ideal Standard follows the policy of a continuous & consistent improvement on the design & functionality of its models. Thus, it has the right to change its manufacturing prescriptions at any time. 1015_GRS15MGBR15

CERAPLUS A NEW RANGE OF MODERN WATER SAVING FITTINGS



CERAPLUS TECHNOLOGY SAFE AND EFFICIENT



A new range of Ceraplus technology brassware that combines stylish design with unique safety features, whilst also being easy to install and exceptionally easy to use.

The rim mounted taps and mixers use new water safety technology, the first of its kind, to set the standards for drinking water quality in the market place. Innovative Ideal Blue® technology prevents deposits of lead and nickel from contaminating the drinking water and also reduces water stagnation thanks to an integrated water management system. Not only are these fittings beautifully designed and safer to use, they are also more environmentally friendly as water and energy use is reduced by the factory fitted flow regulator and the reduced water content.

The Ceraplus built-in fittings all have the functional benefits of thermostatic temperature control, which combines accurate control of the mixed water temperature and exceptionally safe protection from scalding. Whilst they are all very easy to use, some have a user adjustable temperature control whereas others have the mixed water temperature fixed by the installer or service engineer and offer the hygienic benefit of thermal disinfection.

Each fitting features a unique control module using an infrared sensor system. This control system can manage different functions as required for each fitting, such as auto flushing, cleaning mode and continuous operation for thermal disinfection.



The design was developed by the renowned design ARTEFAKT Industrial Culture. Founded in 1989 by Achim Pohl and Thomas Fiegl.



EASY STEP BY STEP GUIDE TO THERMAL DISINFECTION

BUILT-IN FITTINGS WITHOUT USER TEMPERATURE ADJUSTMENT



1. Loosen grub screw
2. Remove cover



3. Loosen the screw



4. Remove cover holder



5. Attach Multitool



6. Press Multitool 90° towards faceplate to obtain maximum hot water temperature



7. Use the remote control to select a duration for thermal disinfection and flow starts immediately

THE IDEAL COMBINATION

ANTI VANDAL FIXED SHOWER HEAD

Grip and twist resistant design
Supplied with 6 and 8 litre per minute flow regulators for water saving.

A4844AA back inlet for solid wall fixing



A4844AA

THERMOSTATIC MIXING VALVE

Designed to supply premixed water at a maximum predetermined temperature to non-thermostatic outlet fittings such as the rim mounted Ceraplus fittings to ensure safe, scald free operation.

A5776AA with G3/8" connections

A5777AA connection set for A5776AA

A5776AA



BASIN TAPS AND MIXERS

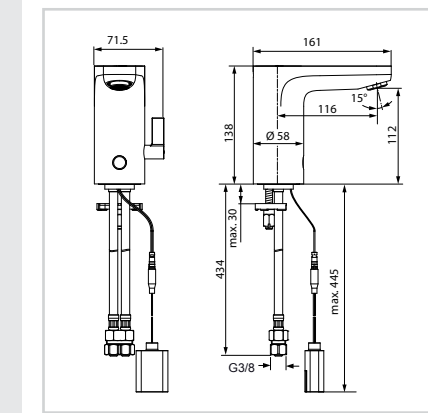
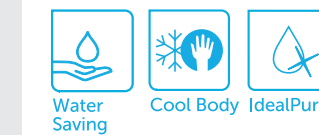
Basin mixer with temperature control



Description	Code
Battery (6V)	A6143AA
Mains (230V)	A6146AA

- IdealBlue® nickel and lead-free waterways
- Integrated electronics (solenoid valve in the body)
- Integrated electronic sensor with full basin functions
- Pre - mix handle with red & blue indices
- Auto stop after 55s continuous running
- Laminar aerator with 4,7l/min
- Sensor cover for cleaning purposes
- Easy-Fix quick mounting system
- Flexible hoses G3/8"
- Chrome

Recommended equipment:
F960848AA Regulator 1,7l/min
A5776AA Thermostatic kit, pre mixer
A5777AA Connection set for A5776AA



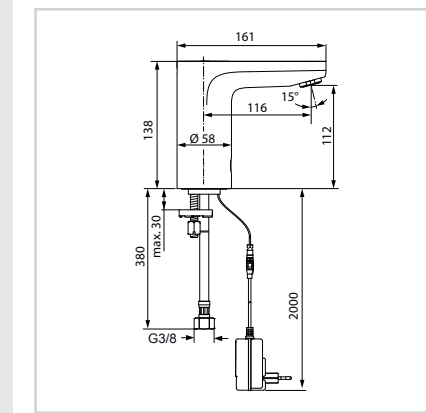
Basin tap (spout)



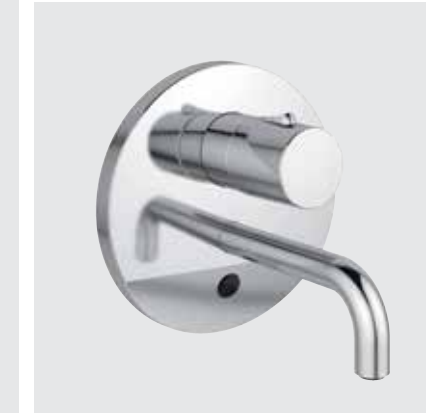
Description	Code
Battery (6V)	A6147AA
Mains (230V)	A6144AA

- IdealBlue® nickel and lead-free waterways
- Integrated electronics (solenoid valve in the body)
- Integrated electronic sensor with full basin functions
- Auto stop after 55s continuous running
- Laminar aerator with 4,7l/min
- Sensor cover for cleaning purposes
- Easy-Fix quick mounting system
- Flexible hoses G3/8"
- Chrome

Recommended equipment:
F960848AA Regulator 1,7l/min
A5776AA Thermostatic kit, pre mixer
A5777AA Connection set for A5776AA



Thermostatic built-in basin mixer with user temperature control

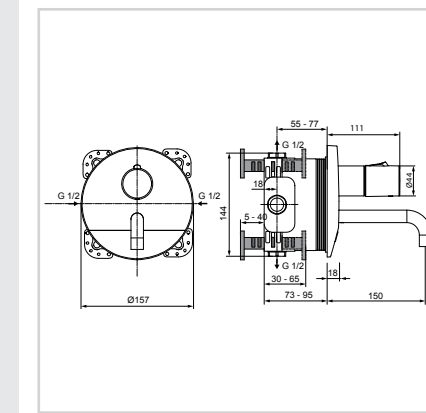


Description	Code
150mm spout, battery (6V)	A6147AA
150mm spout, mains (230V)	A6148AA
230mm spout, battery (6V)	A6151AA
230mm spout, mains (230V)	A6152AA

- Integrated electronics (solenoid valve in the body)
- Multi-functional built in sensor
- Thermostatic cartridge for scald prevention
- User adjustable temperature control
- 150 and 230mm tubular spout options
- Auto stop after 55s continuous running
- Laminar cache aerator with 8l/min flow rate
- Safety button on temperature control
- Integrated battery holder (for battery option)
- Transformer with mains connection - cable length 2m (for mains option)
- Round metal escutcheon
- Chrome

Necessary equipment:
A1000NU Kit 1

Recommended equipment:
A860888NU Thermal disinfection tool



Thermostatic built-in basin mixer without user temperature control

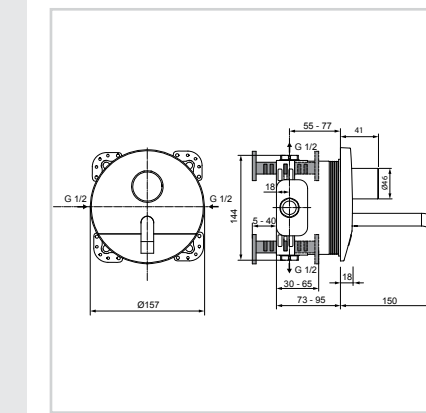


Description	Code
150mm spout, battery (6V)	A6149AA
150mm spout, mains (230V)	A6150AA
230mm spout, battery (6V)	A6153AA
230mm spout, mains (230V)	A6154AA

- Integrated electronics (solenoid valve in the body)
- Multi-functional built in sensor
- Thermostatic cartridge for scald prevention
- Outlet temperature set by installer
- User adjustable temperature control
- 150 and 230mm tubular spout options
- Auto stop after 55s continuous running
- Laminar cache aerator with 8l/min flow rate
- Thermal disinfection mode
- Integrated battery holder (for battery option)
- Transformer with mains connection - cable length 2m (for mains option)
- Round metal escutcheon
- Chrome

Necessary equipment:
A1000NU Kit 1

Recommended equipment:
A860888NU Thermal disinfection tool



SHOWER FITTINGS

Thermostatic built-in shower mixer with user temperature control

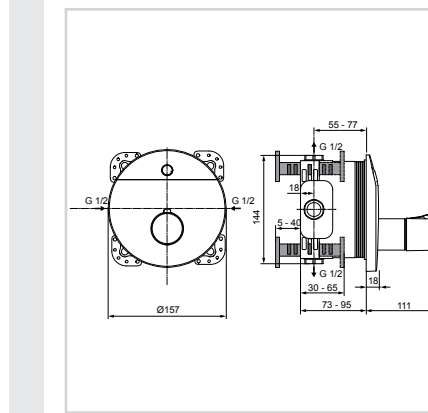


Description	Code
Battery (6V)	A6155AA
Mains (230V)	A6156AA

- Integrated electronics (solenoid valve in the body)
- Multi-functional built in sensor
- Thermostatic cartridge for scald prevention
- User adjustable temperature control
- Auto stop after 55s continuous running
- Safety button on temperature control
- Integrated battery holder (for battery option)
- Transformer with mains connection - cable length 2m (for mains option)
- Round metal escutcheon
- Chrome

Necessary equipment:
A1000NU Kit 1

Recommended equipment:
A860888NU Thermal disinfection tool



Thermostatic built-in shower mixer without user temperature control

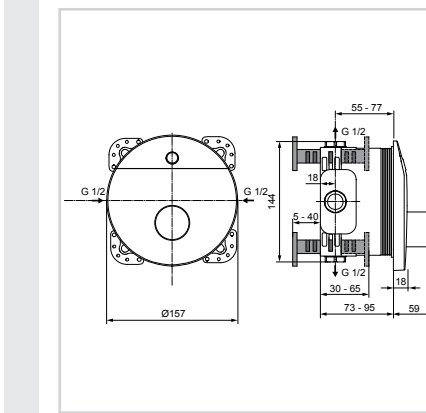


Description	Code
Battery (6V)	A6157AA
Mains (230V)	A6158AA

- Integrated electronics (solenoid valve in the body)
- Multi-functional built in sensor
- Outlet temperature set by installer
- User adjustable temperature control
- Auto stop after 55s continuous running
- Thermal disinfection mode
- Integrated battery holder (for battery option)
- Transformer with mains connection - cable length 2m (for mains option)
- Round metal escutcheon
- Chrome

Necessary equipment:
A1000NU Kit 1

Recommended equipment:
A860888NU Thermal disinfection tool



PROGRAMMING

All Ceraplus fittings are factory set to operate satisfactorily in most installations. However, to optimise operation for each particular installation many of the default settings can be changed. This can be done in 2 ways:

1. Manual Programming (limited functions can be changed)
2. Full Programming using a remote control programmer (all functions can be changed)

1. Manual Programming

Sensor range and Run time can be changed.

For Manual Programming the power needs to be turned Off then On. The sensor then re-boots and programming can be carried-out. If the sensor has a Run time function (e.g. showers) then this can also be changed. All other functions such as Purging and Cleaning can only be set using the Remote control programmer (see Full Programming).

2. Full Programming

This requires a Remote controlled programmer which is supplied separately (Part no. A961765NU). With this programmer all settings can be changed on all built-in fittings, including Sensor range, Purging and Operating modes. Note no settings can be changed on the 1 hole basin fittings.

In Full Programming using the Remote control programmer there is no need to turn the power On/Off, and all programming can be done in front of the fitting. If the sensor has a Run time function (e.g. showers) then the Run time can also be changed.

Detailed programming information comes with the products.

Programme Mode	Description	Fixed settings	Adjustable settings			
			Name	Factory setting	Range	Step
1	Cleaning Fitting is turned Off to allow cleaning Sensor and valve are turned Off for a fixed duration of 60s At the end of this time it resets to normal operation	60s				
2	Purging Operates the fitting for a set duration Fitting can be turned On for 1 to 120 minutes At the end of this time it resets to normal operation		Purging duration	Off	1 ... 120	minutes
3	Diagnostic Displays current settings					
4	Operating 3 operating modes (see below)					
4.1	Proximity ¹ Water flows while sensor is triggered Flow continues for 2s after sensor is no longer triggered Safety shut-off if sensor is triggered continuously		4.1.1 Auto flush frequency	Off	6, 12, 24, 48, 72	hours
		55s	4.1.2 Auto flush duration	15s	1 ... 240	1 second
4.2	Timed ² When sensor is triggered water flows for the set run time At the end of this timed period it turns off Safety shut-off if sensor is triggered continuously		4.2.1 Run time ⁴	15 s	1, 2, 3, 25, 7, 5, 15, 30, 60, 120, 240	seconds
			4.2.2 Auto flush frequency	Off	6, 12, 24, 48, 72	hours
4.3	On/Off ³ When sensor is triggered water flows for the set run time If the sensor is triggered while running it turns off immediately Triggering the sensor toggles operation On/Off		4.2.3 Auto flush duration	15s	1 ... 240	1 second
			4.3.2 Auto flush frequency	Off	6, 12, 24, 48, 72	hours
			4.3.3 Auto flush duration	15s	1 ... 240	1s

Notes

¹Basin taps and mixers are factory set to this mode

²No Ceraplus fittings are factory set to this mode

³Showers are factory set to this mode

⁴Run time can only be changed for Showers